

light-tec
be bright. save energy.



LÁMPARA LINEAL NEGRA 36 WATTS

Guatemala, Guatemala
Teléfono: (+502) 2462-6880/81

www.light-tec.com.gt

ESPECIFICACIONES

Lámpara lineal 36 Watts

Voltaje: 100-240V
Consumo: 36 Watts
Ángulo: 120°
Eficiencia: 120 lm/w
Lumens: 4,320lm
Color: 4,100k / 6,000k
Factor de potencia: > 0.95
Grado de protección: IP40
CRI: > 90
Temperatura de trabajo: -20°C a 45°C

30,000hrs
Horas de Vida

LED



Temperatura de Color



4,100K
Luz Media



6,000K
Luz Blanca

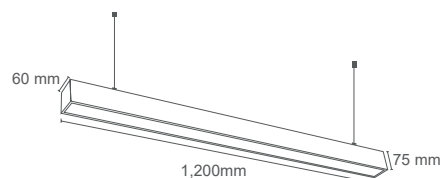
Residencial



Comercial



Oficinas

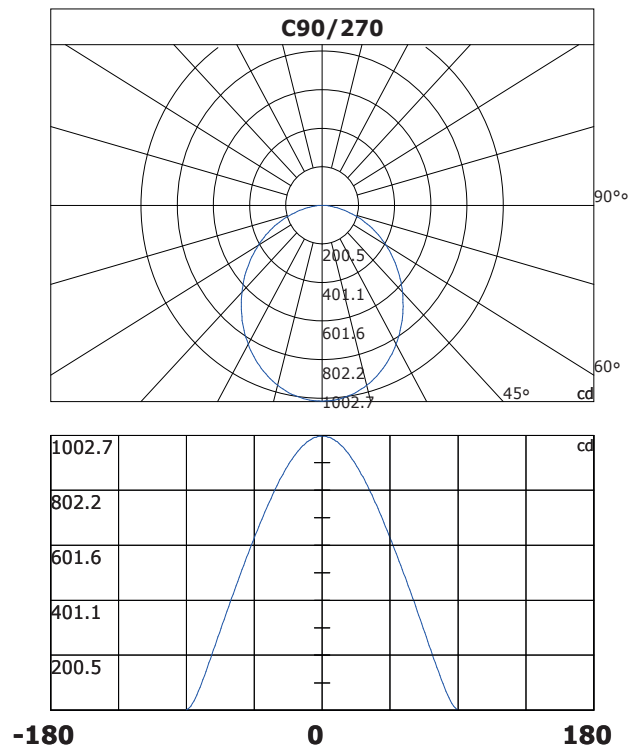
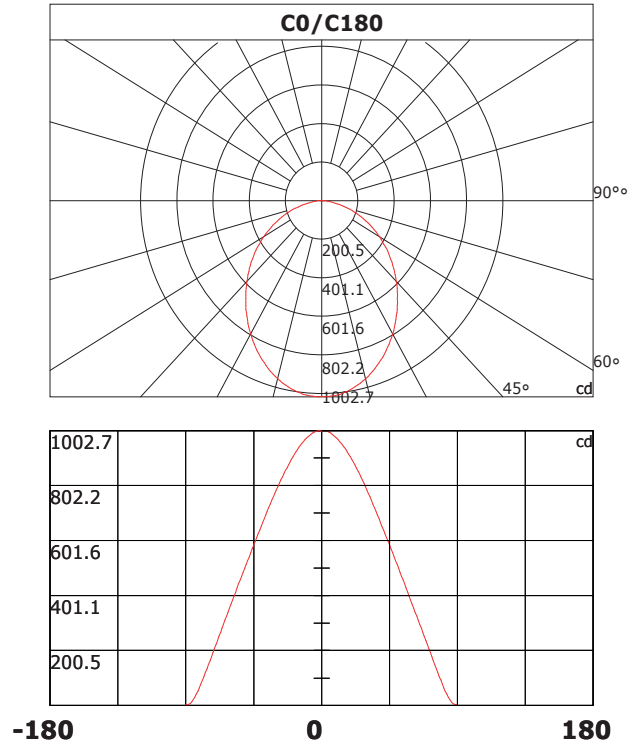


MUESTRA DE APLICACIÓN

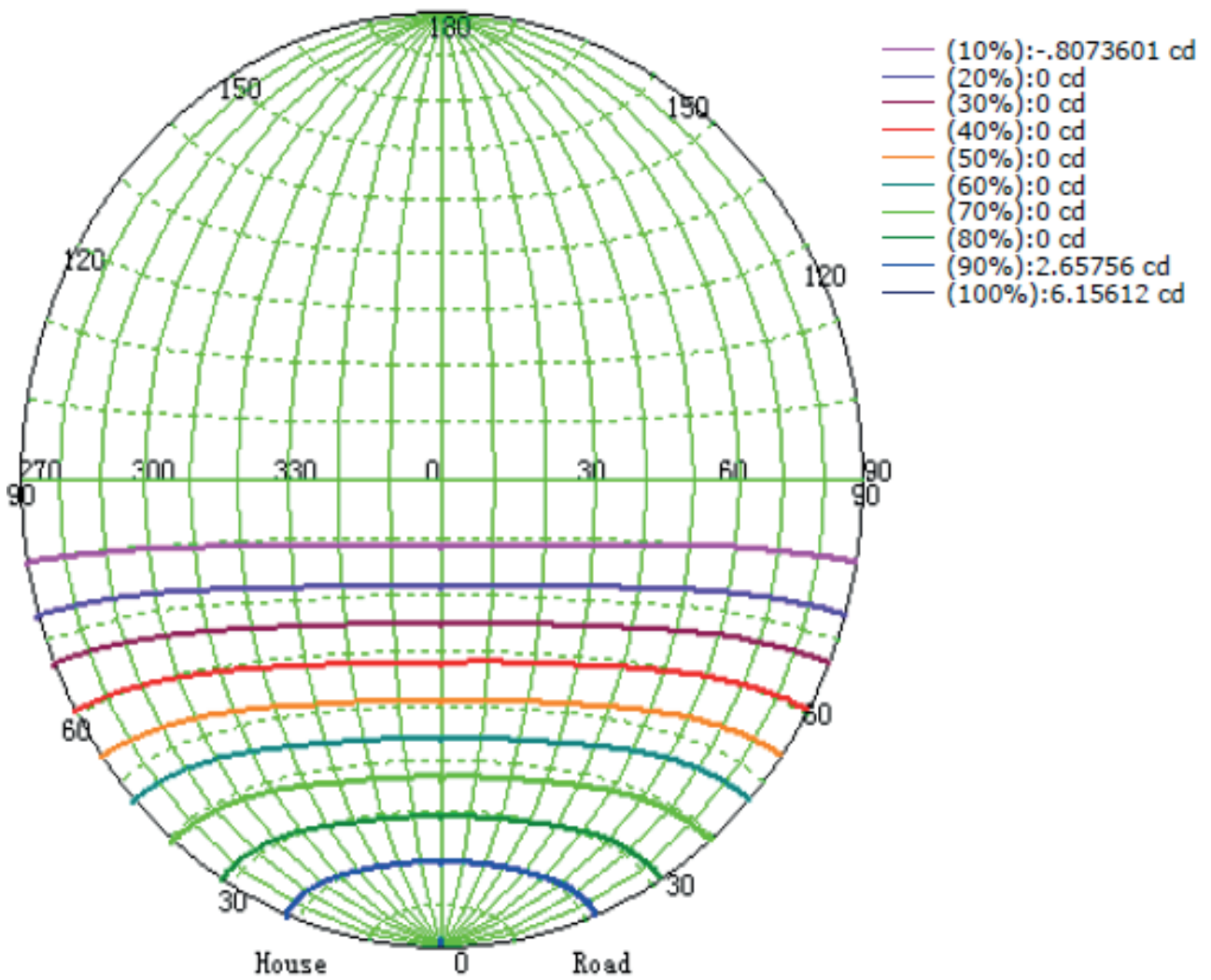


light-tec
be bright. save energy.

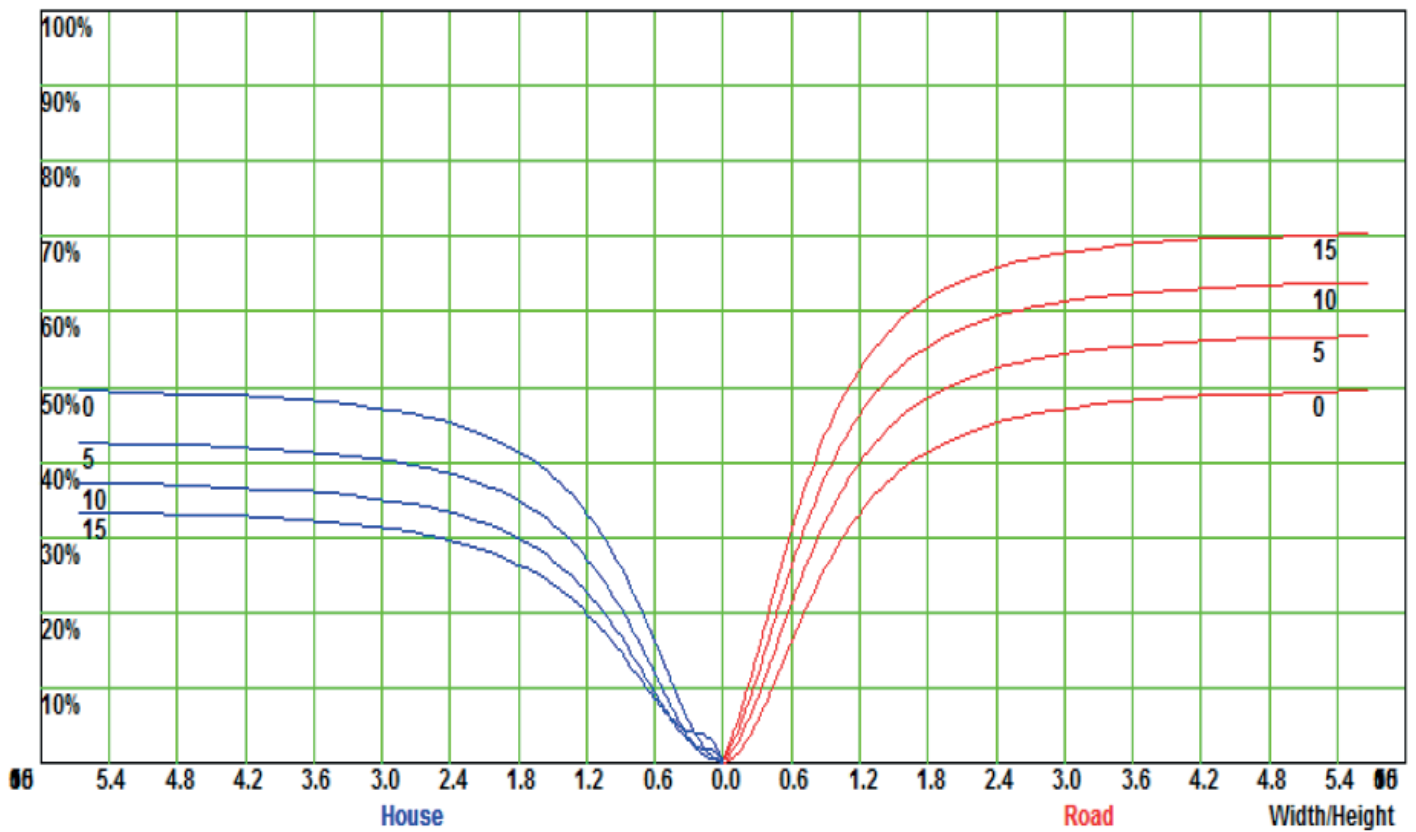
Luminaire property



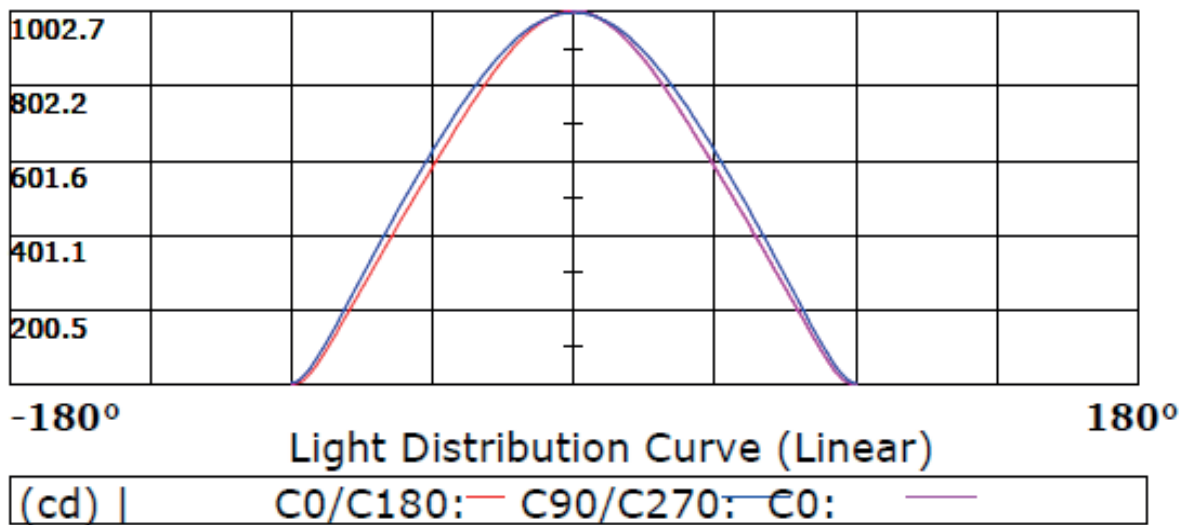
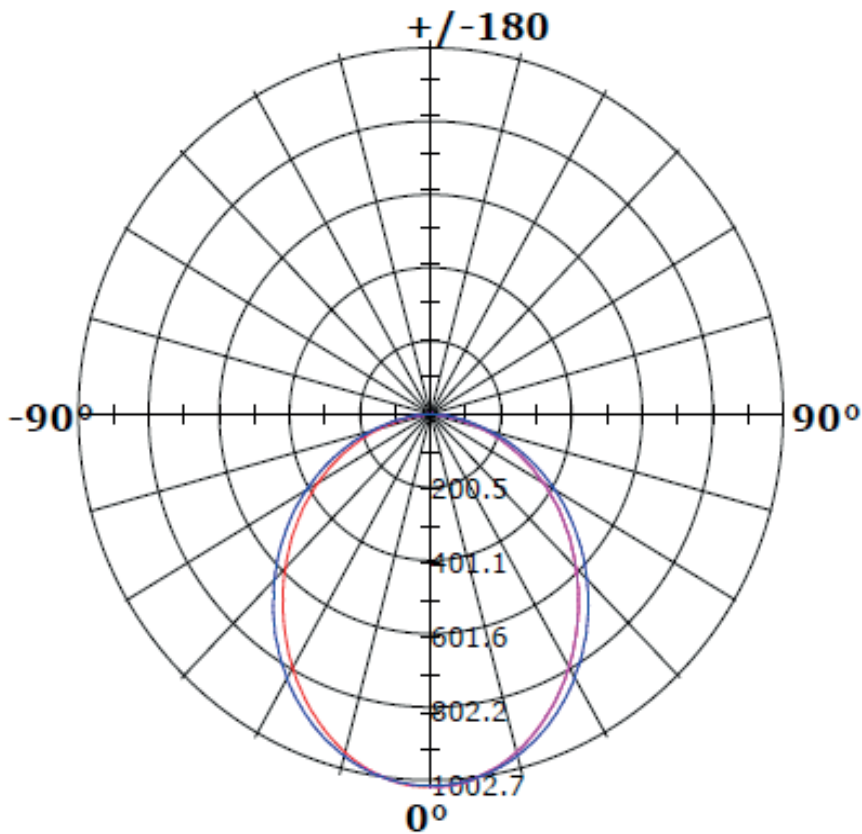
ISO candela (cd)



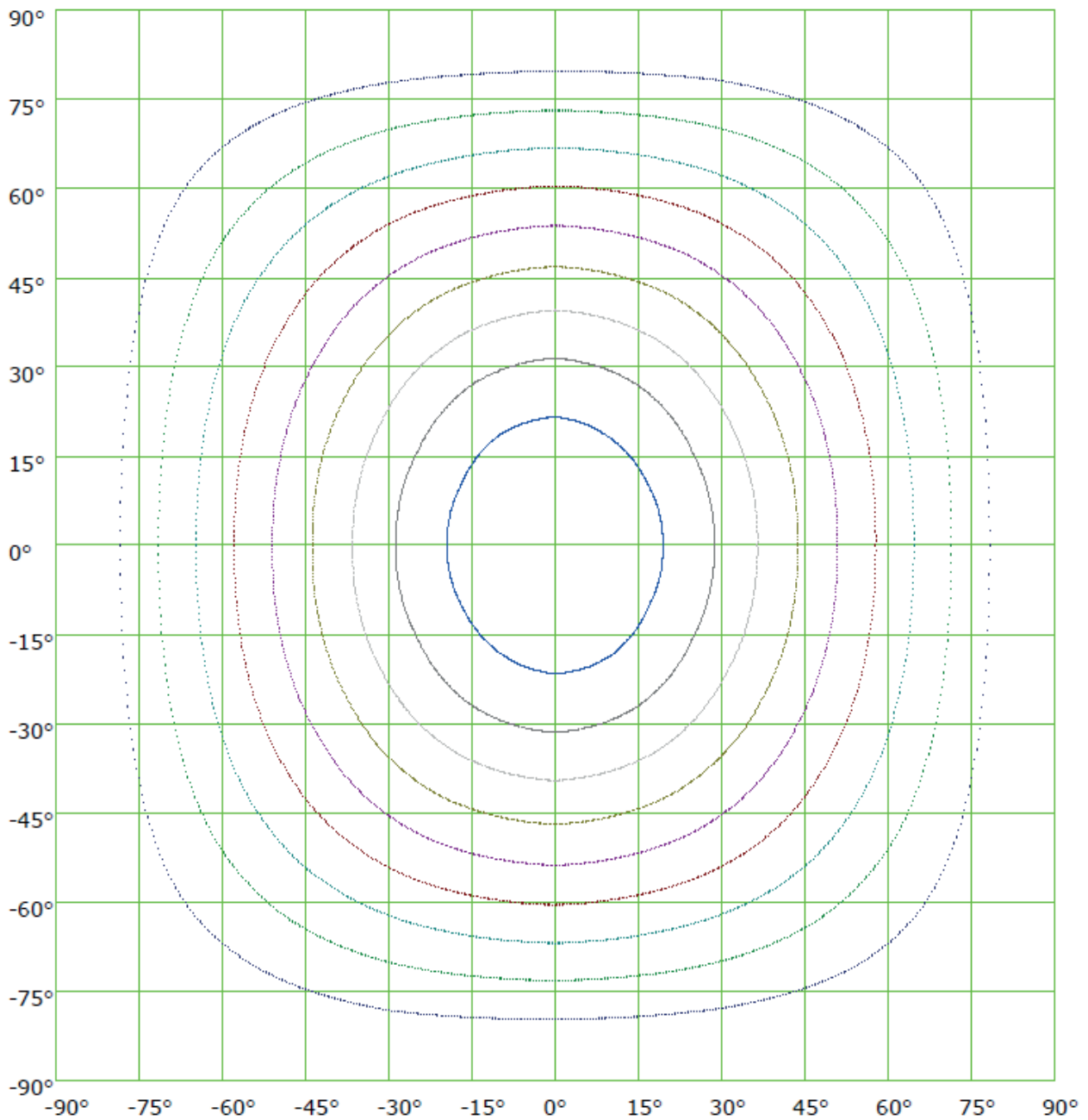
Coefficient Utilization Curve



Light Distribution Curve [Unit: cd]

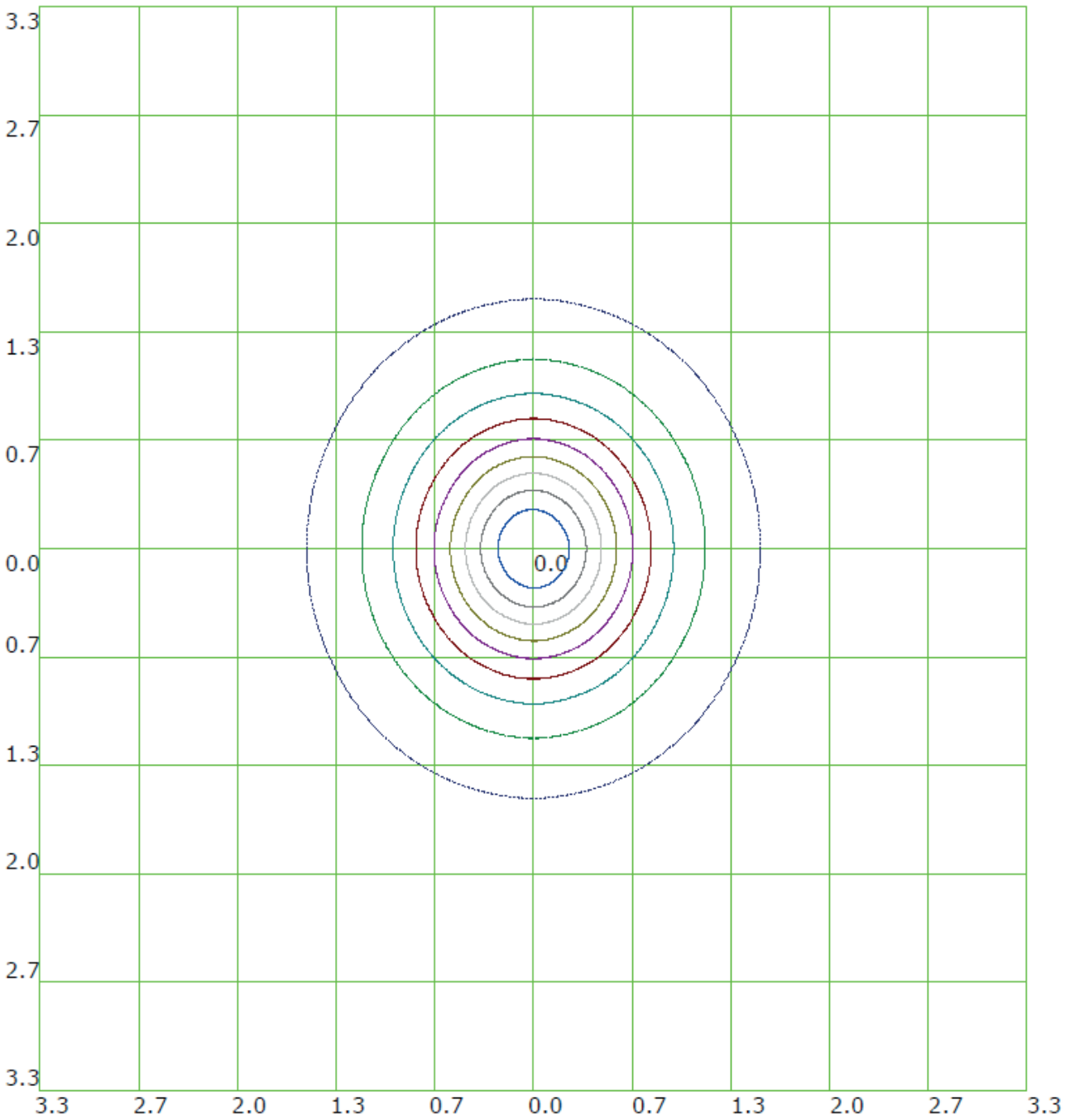


Isocandela (Rectangle)



- | | | | |
|------------------|--------------------|------------------|------------------|
| — (10%): 100.3cd | — (20%): 200.5cd | — (30%): 300.8cd | — (40%): 401.1cd |
| — (50%): 501.3cd | — (60%): 601.6cd | — (70%): 701.9cd | — (80%): 802.1cd |
| — (90%): 902.4cd | — (100%): 1002.7cd | | |

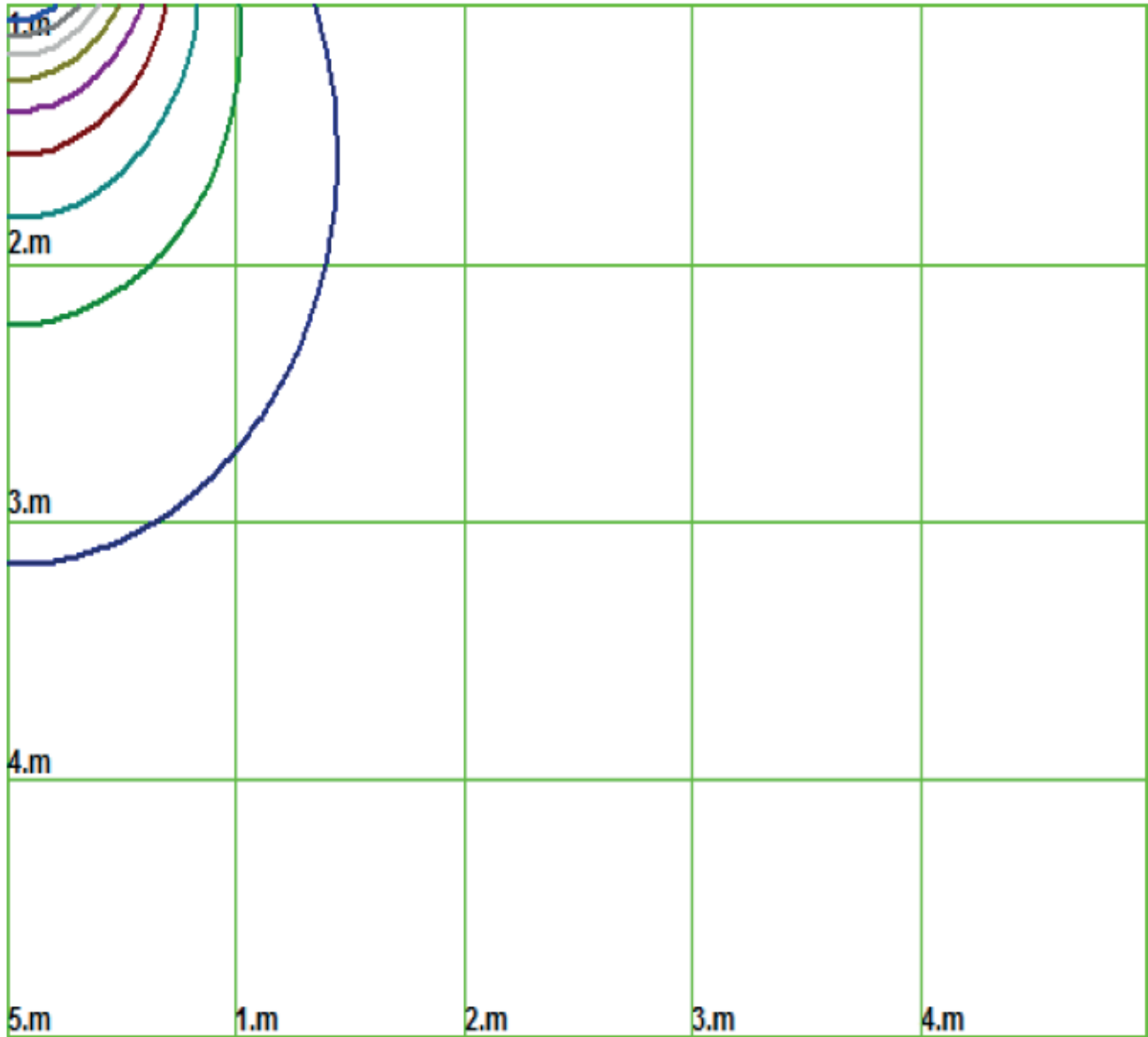
Isolx curve



Height: 1 m

- | | | | |
|------------------|--------------------|------------------|------------------|
| — (10%): 100.3lx | — (20%): 200.5lx | — (30%): 300.8lx | — (40%): 401.1lx |
| — (50%): 501.3lx | — (60%): 601.6lx | — (70%): 701.9lx | — (80%): 802.1lx |
| — (90%): 902.4lx | — (100%): 1001.7lx | | |

Space Isolx Curve



- (10%): 100.3lx — (20%): 200.5lx — (30%): 300.8lx — (40%): 401.1lx
- (50%): 501.3lx — (60%): 601.6lx — (70%): 701.9lx — (80%): 802.1lx
- (90%): 902.4lx — (100%): 1001.7lx